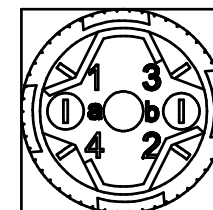
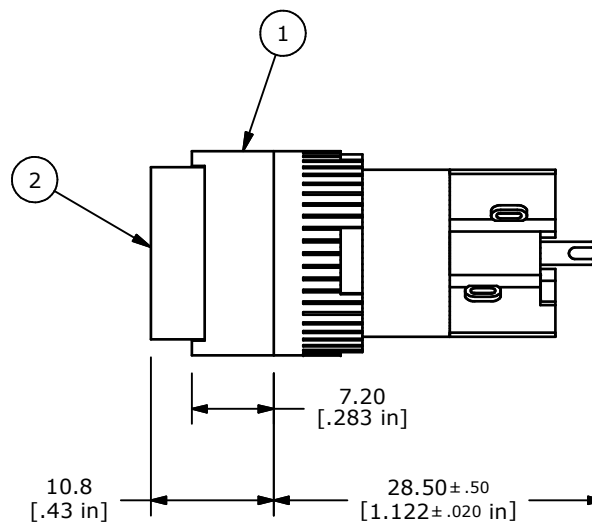
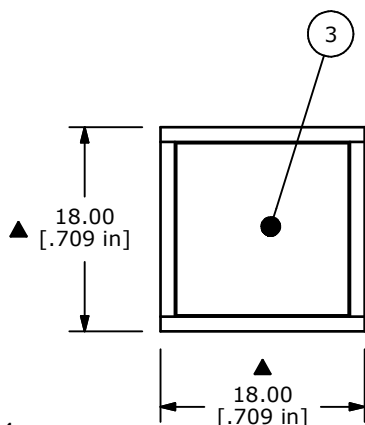
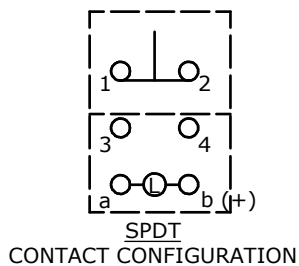


PARTS LIST			
ITEM	QTY	PART NUMBER	DESCRIPTION
1	1	F040005	D16EES11
2	1	F050315	50-003-15 TRANSPARENT FLAT WHITE LENS
3	1	F050431	50-004-31 6V WHITE LED

PANEL MOUNTING



- NOTE:
- ALL DIMENSIONS IN MM [INCH]
 - GENERAL TOLERANCE: X.X=±0.4
X.XX=±0.25
 - TERMINAL NUMBERS FOR REF ONLY
 - RATING: 5A @ 250 VAC
6A @ 24 VDC
8A @ 125 VAC
 - ELECTRIC LIFE: 50,000 CYCLES
 - INSULATION RESISTANCE: 1,000 MΩ MIN.
 - OPERATING TEMP.: -20°C to 55°C
 - LAMP VOLTAGE: 6VDC LED
 - ▲ DENOTES CRITICAL PARAMETER.
 - 2002/05/EC (ROHS) COMPLIANT.
 - PANEL THICKNESS: 0.5-5.0mm
 - TRAVEL: 3.0mm FULL, 2.0mm LATCH
 - SEAL RATING: IP40



TITLE D16EES11HWHTWHT				
SCALE	DATE 9/22/2014	DR EBP	DWG XF0894P	REV A

A	21590	RELEASED FOR PRODUCTION	9/22/14	EBP
REV	PCR NO	DESCRIPTION	DATE	BY
THE INFORMATION CONTAINED IN THIS DOCUMENT IS PROPRIETARY TO E-SWITCH AND IS NOT TO BE COPIED OR TRANSFERRED				